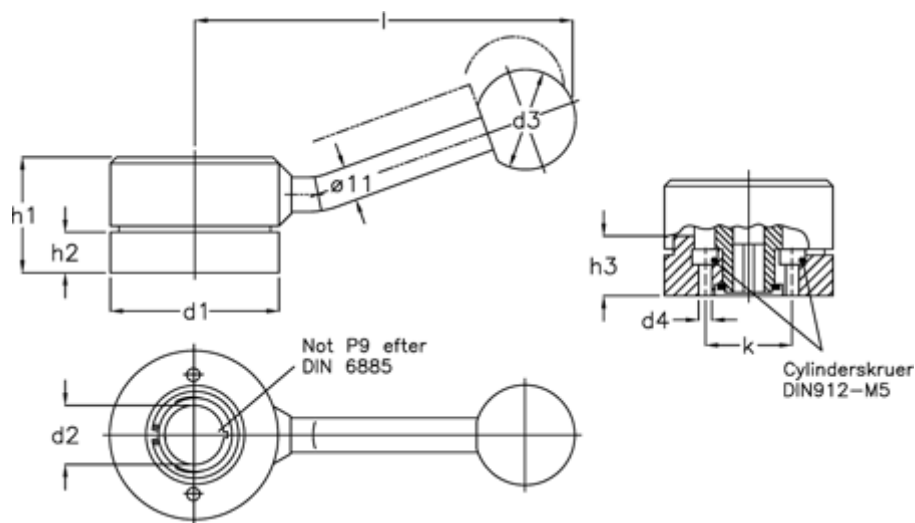


Article number: 20616231

Description: E+G Indexing lever
GN 215-54-K10-B

Measures



| | | |
|-------------|----------|-------|
| $d1 = 54$ | K | = 30 |
| $d2 = K10$ | Length l | = 122 |
| $d3 = 32$ | W | = 22° |
| $d4 = 5.2$ | | |
| $d5 = 44.5$ | | |
| $h1 = 37$ | | |
| $h2 = 13$ | | |
| $h3 = 16.5$ | | |